



The Polaris PowerFall® creates the naturally soothing sight, sound, and grandeur of a beautiful waterfall. The reliable and easy to install unit is available in standard sizes or can be built to your specifications. The waterfall sheet holds its distinctive form for up to 3.5 feet.

FEATURES

- One inlet for all PowerFalls (12"-96" wide)
- Easy to install
- Compact design
- Low water flow requirements
- Patented X-Baffle™ design
- Self-draining/self-winterization
- No rock trap necessary

 **Polaris** Water Designs

USA: 2620 Commerce Way, Vista, CA 92081-8438 • 760-599-9600 • 1-800-822-7933 (USA and Canada only)
Australia: Unit 4, 19-21 Gibbs Street, Chatswood, NSW 2067 • 02-9882-1111 • ACN 080 168 092
Europe: C/Osona s/n. (Pol. Ind. El Ramassar), 08520 Les Franqueses del Vallés, Barcelona, Spain • +34 93 840 25 85
www.polarispool.com

The PowerFall can be mounted below the coping in a raised bond beam. With one standard plumbing connector, the PowerFall is easily installed in any type of pool.

The pattern of holes in each of the three sequential baffles has the same total area of opening as the lip of the PowerFall. This produces an unexcelled water sheet without back pressure.

POWERFALL STANDARD SIZES

- 12"-60" standard PowerFalls use 1-1/2" pipe and coupling
- 72"-96" standard PowerFalls use 2" pipe and coupling

POWERFALL NOZZLE LENGTHS

- Standard 1", Extended 6", 9" and 12"

POWERFALL NOZZLE COLORS

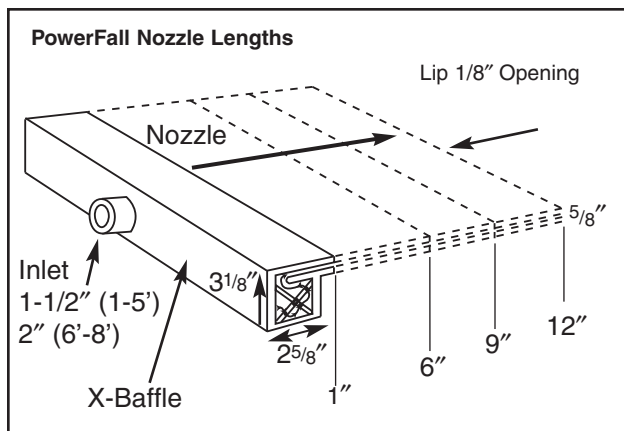
- Standard White
- Optional Black and Gray available at no extra charge.

RADIUS CUTS TO POWERFALL NOZZLES

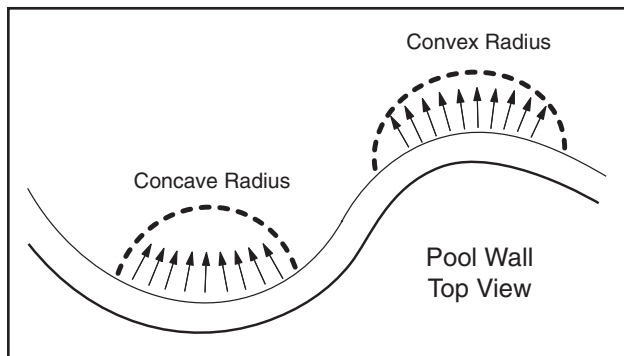
- Polaris recommends that your radius is cut at the factory, please call Customer Service to correctly order one.
- If you choose to cut it yourself, the PowerFall design offers easy cutting due to our segmented spacer support system.

POWERFALL PUMP SIZING

- One gallon per minute, per inch of PowerFall length is the standard for sizing pipe and pump.
- Greater projection of the water sheet can be produced with increased flow rates.
- Polaris recommends the use of a dedicated pump and in-line filter with PowerFalls over 36" in length.



Use the diagram below to determine if you have a concave radius or a convex radius.



Use the chart below to ensure the PowerFall length, nozzle and radius is available.

Radius Size	PowerFall Length								
	12"	18"	24"	36"	48"	60"	72"	84"	96"
1'	6" Nozzle	6" Nozzle	6" Nozzle	6" Nozzle	6" Nozzle	6" Nozzle	6" Nozzle	6" Nozzle	6" Nozzle
1.5'	6" Nozzle	6" Nozzle	6" Nozzle	6" Nozzle	6" Nozzle	6" Nozzle	6" Nozzle	6" Nozzle	6" Nozzle
2'	6" Nozzle	6" Nozzle	6" Nozzle	9" Nozzle	6" Nozzle	6" Nozzle	6" Nozzle	6" Nozzle	6" Nozzle
2.5'	6" Nozzle	6" Nozzle	6" Nozzle	9" Nozzle	9" Nozzle	6" Nozzle	6" Nozzle	6" Nozzle	6" Nozzle
3'	6" Nozzle	6" Nozzle	6" Nozzle	9" Nozzle	9" Nozzle	9" Nozzle	6" Nozzle	6" Nozzle	6" Nozzle
3.5'	6" Nozzle	6" Nozzle	6" Nozzle	9" Nozzle	9" Nozzle	9" Nozzle	9" Nozzle	6" Nozzle	6" Nozzle
4'	6" Nozzle	6" Nozzle	6" Nozzle	9" Nozzle	9" Nozzle	9" Nozzle	9" Nozzle	9" Nozzle	6" Nozzle
4.5'	6" Nozzle	6" Nozzle	6" Nozzle	9" Nozzle	9" Nozzle	9" Nozzle	9" Nozzle	9" Nozzle	9" Nozzle
5'	6" Nozzle	6" Nozzle	6" Nozzle	9" Nozzle	9" Nozzle	9" Nozzle	9" Nozzle	9" Nozzle	9" Nozzle
5.5'	6" Nozzle	6" Nozzle	6" Nozzle	9" Nozzle	9" Nozzle	9" Nozzle	9" Nozzle	9" Nozzle	9" Nozzle
6'	6" Nozzle	6" Nozzle	6" Nozzle	9" Nozzle	9" Nozzle	9" Nozzle	9" Nozzle	9" Nozzle	9" Nozzle
6.5'	6" Nozzle	6" Nozzle	6" Nozzle	9" Nozzle	9" Nozzle	9" Nozzle	9" Nozzle	9" Nozzle	9" Nozzle
7'	6" Nozzle	6" Nozzle	6" Nozzle	9" Nozzle	9" Nozzle	9" Nozzle	9" Nozzle	9" Nozzle	9" Nozzle
7.5'	6" Nozzle	6" Nozzle	6" Nozzle	9" Nozzle	9" Nozzle	9" Nozzle	9" Nozzle	9" Nozzle	9" Nozzle
8'	6" Nozzle	6" Nozzle	6" Nozzle	9" Nozzle	9" Nozzle	9" Nozzle	9" Nozzle	9" Nozzle	9" Nozzle
8.5'	6" Nozzle	6" Nozzle	6" Nozzle	9" Nozzle	9" Nozzle	9" Nozzle	9" Nozzle	9" Nozzle	9" Nozzle
9'	6" Nozzle	6" Nozzle	6" Nozzle	9" Nozzle	9" Nozzle	9" Nozzle	9" Nozzle	9" Nozzle	9" Nozzle
9.5'	6" Nozzle	6" Nozzle	6" Nozzle	9" Nozzle	9" Nozzle	9" Nozzle	9" Nozzle	9" Nozzle	9" Nozzle
10'	6" Nozzle	6" Nozzle	6" Nozzle	9" Nozzle	9" Nozzle	9" Nozzle	9" Nozzle	9" Nozzle	9" Nozzle
10.5'	6" Nozzle	6" Nozzle	6" Nozzle	9" Nozzle	9" Nozzle	9" Nozzle	9" Nozzle	9" Nozzle	9" Nozzle
11'	6" Nozzle	6" Nozzle	6" Nozzle	9" Nozzle	9" Nozzle	9" Nozzle	9" Nozzle	9" Nozzle	9" Nozzle
11.5'	6" Nozzle	6" Nozzle	6" Nozzle	9" Nozzle	9" Nozzle	9" Nozzle	9" Nozzle	9" Nozzle	9" Nozzle
12'	6" Nozzle	6" Nozzle	6" Nozzle	9" Nozzle	9" Nozzle	9" Nozzle	9" Nozzle	9" Nozzle	9" Nozzle
12.5'	6" Nozzle	6" Nozzle	6" Nozzle	9" Nozzle	9" Nozzle	9" Nozzle	9" Nozzle	9" Nozzle	9" Nozzle
13'	6" Nozzle	6" Nozzle	6" Nozzle	9" Nozzle	9" Nozzle	9" Nozzle	9" Nozzle	9" Nozzle	9" Nozzle

Polaris CustomFalls are customized PowerFalls that produce powerful sheets of water in non-standard configurations.

PLEASE NOTE: PowerFalls are customarily sold in standard sizes and backfeed configurations. However, Polaris can custom design a CustomFall to meet your specifications, such as the samples to the right. Contact Polaris directly for assistance in specifying the correct size, pump and filter.

